

AFTERCARE INSTRUCTIONS

These products have a high quality, durable finish which in order to preserve, should be treated with care.

Clean with warm soapy water and a soft damp cloth only.

Cleaning products, including non-scratch ones could damage the finish.

CUSTOMER SERVICE

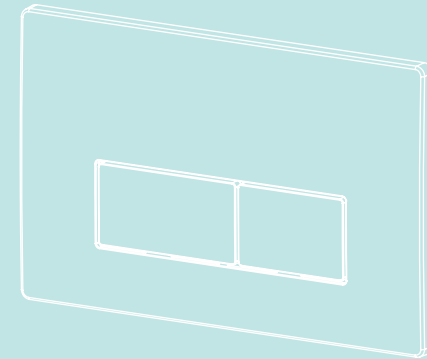
t: +44(0)208 686 5100
e: technical@saneux.com

Iain Stewart Centre, Beehive
Ring Road, Gatwick, RH6 0PB

www.saneux.com

FLUSHE

INSTALLATION INSTRUCTIONS

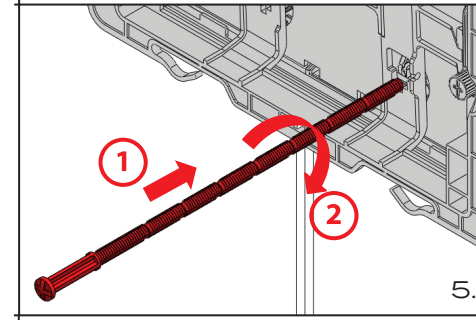
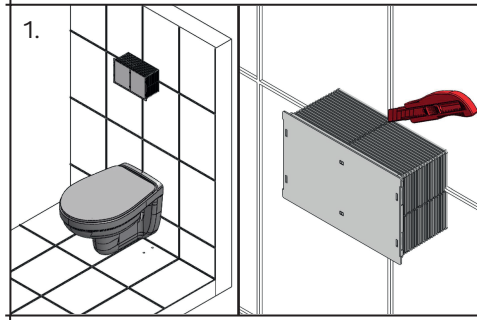


FP161, FP162, FP164, FP165

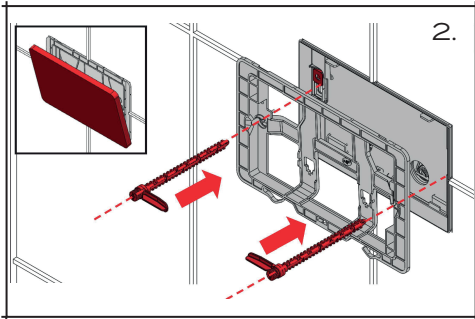
saneux

1. Fixing the flush plate

Install the concealed cistern system in the wall before decorating the wall, using the cistern's installation instructions. Ensure that you have all components present before installation.

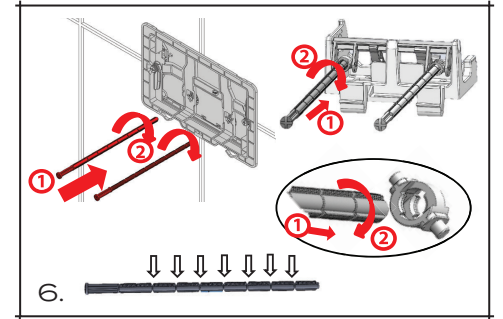


5. Test the depth needed for the flush rods by measuring how much of the rod needs to be broken off to protrude enough (step 7.) from the plate as well as having enough thread to attach to the flush mechanism without restricting on rear of the cistern.

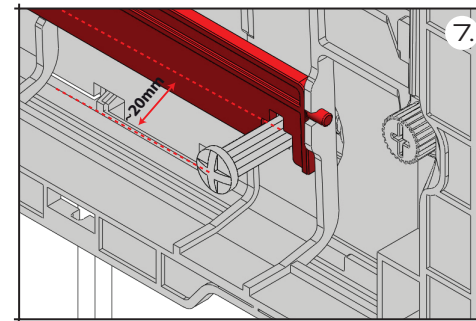
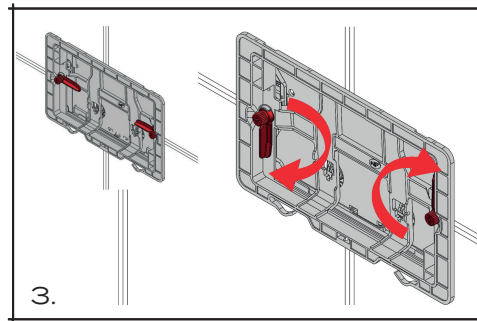


2. Place the mounting frame over the cistern opening and insert the fixing rods until the mounting bracket is flush with the cistern.

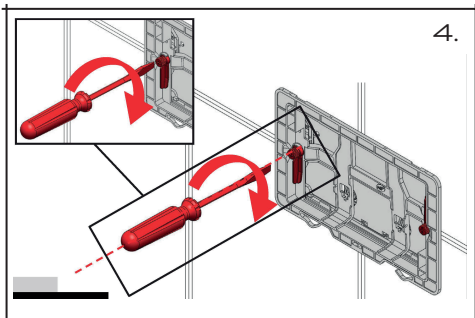
6. Snap the flush rods to length and insert them through the mounting plate and twist into the flush mechanism.



3. Lock the mounting frame in place by turning the rods clockwise.



7. Clip in the fixation bridge and make sure there is 20mm from the end of the flush rods to the fixation bridge.



4. Once locked in place, tighten using a flat head screwdriver to secure the mounting frame to the wall.

8. To remove, unscrew the screw from underneath then lift and tilt the plate off the frame.

